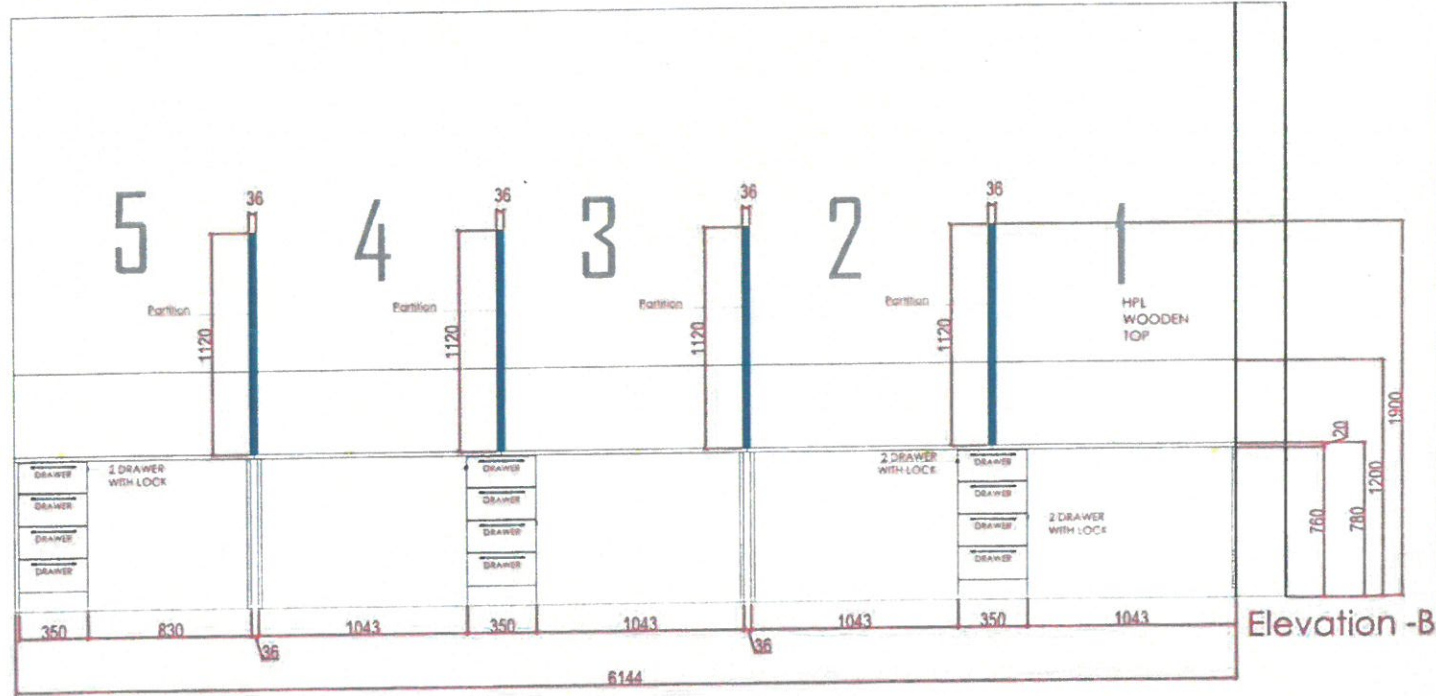
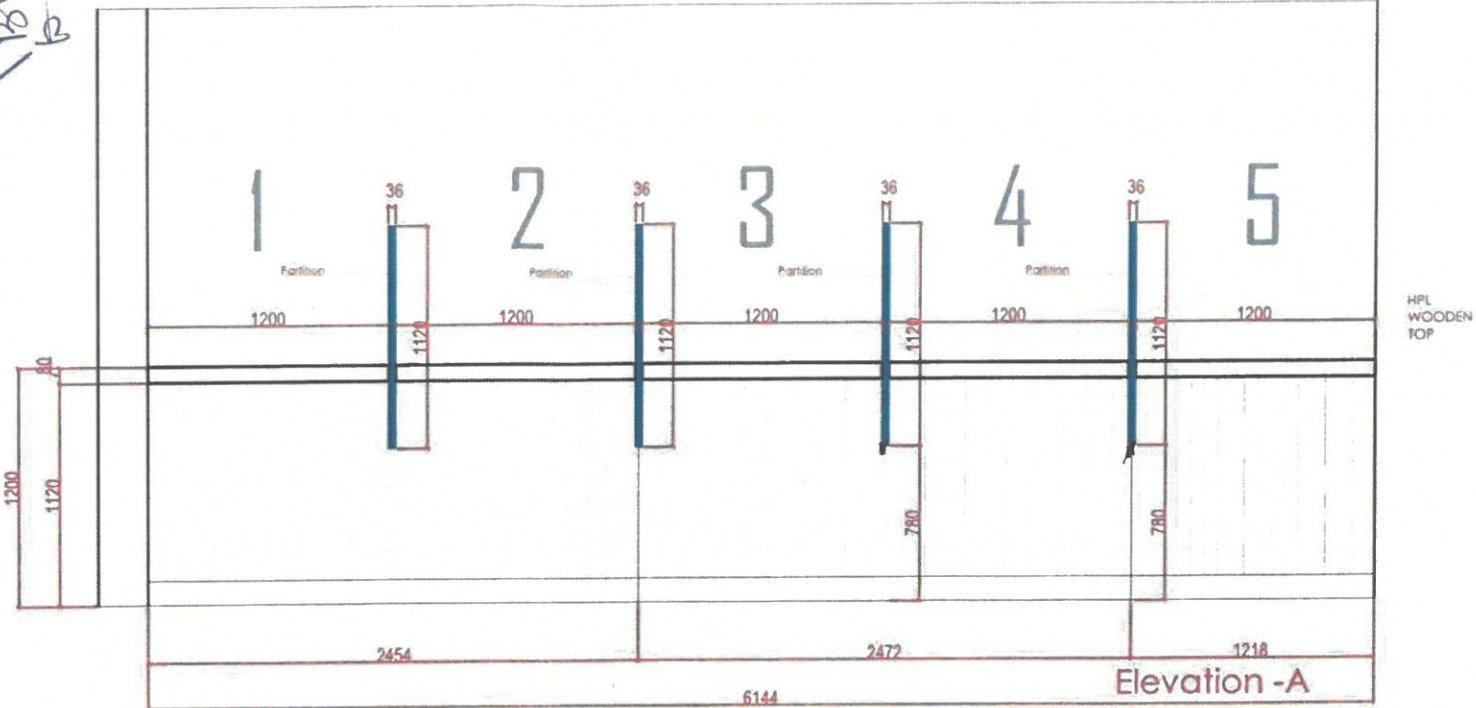
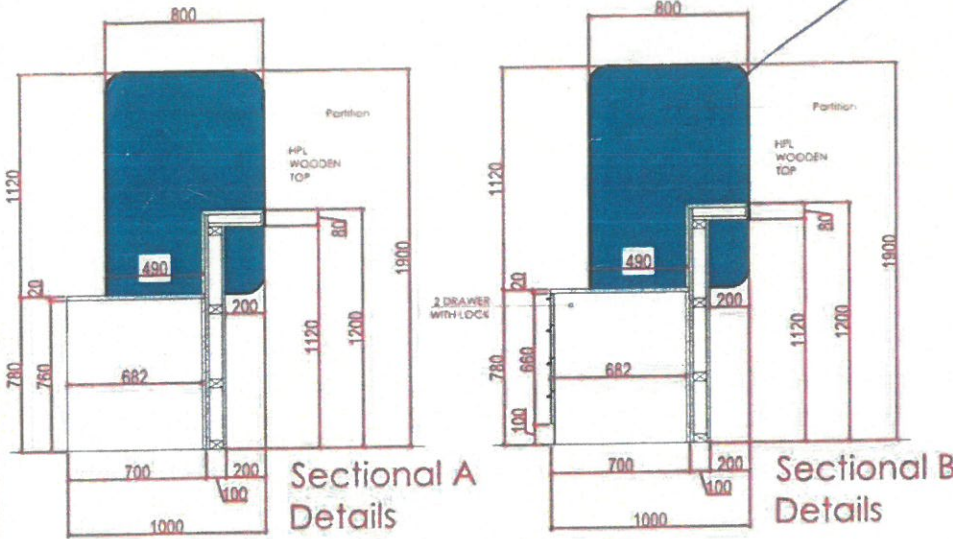


BANKING HALL TELLER COUNTER

Bank Teller counter boot units with dimensions L6144mm x H1200mm with side drawers in laminate finish

*Blue acrylic
to forward cabin
chest
16/5/24*



3 way lock - 45

*1 - 759 x 682 x 18 => 6 Pcs side
2 - 2454 x 682 x 18 => 2 Pcs TOP
3 - 1228 x 682 x 18 => 1 Pcs TOP
~~4 - 759 x~~*



www.wood-styles.com

Copyright of designs shown herein is retained by this office. Authority is required for any reproduction. © Copyright Wood-styles Ltd.

Nigeria, Lagos +234 80 9037 9888
Email: info@wood-styles.com

Project
FTMB
IKOYI, LAGOS
Owner

Date	Description
DSD-V1-ID-13/4/2024	- REV1
DSD-V1-ID-13/5/2024	- REV2

FOR APPROVAL

Project No. : --
Scale : N/A
Drawn by : OBJ
Checked : OBJ
Cad File : CAD_FILE

Sheet title
Ground Floor
Teller counter at the Banking Hall
Elevations / Sections

Dwg No. : WS-DS-SD-FT-002
No. : SHEET 2

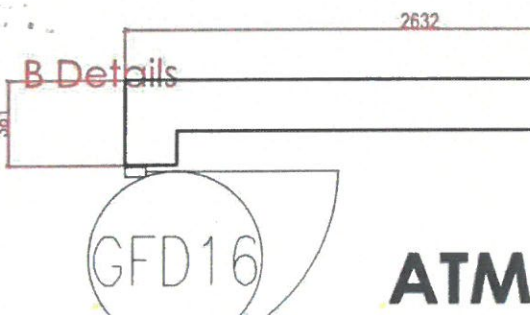
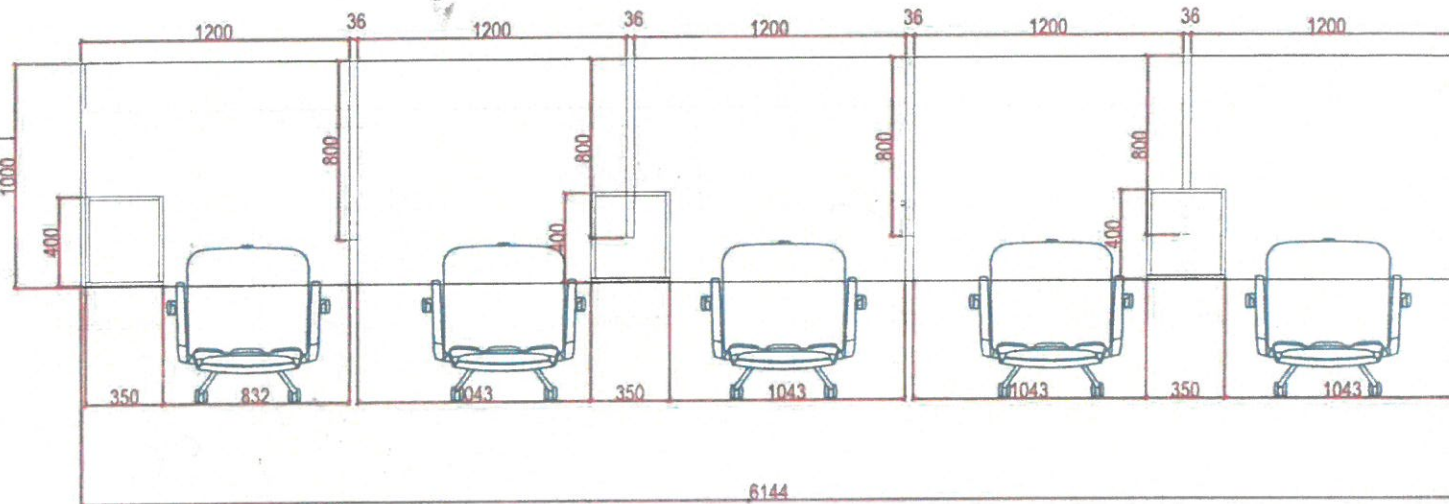
BANKING HALL floor plan

BANKING HALL TELLER COUNTER

Bank Teller counter boot units with dimensions L6144mm x H1200mm with side drawers in laminate finish

*Stairon Top
Teller counter
5 units
Ready to be brand
according to the brand
blue or the brand
colour charts
m/spl. 16/5/24*

A Details



- PUBLIC 20L
- M.D.F 2 Panel
- Laminate 143 6 Panel
- Stairon Top
- Drawer Rib 12 500CM
- Handle 12 PCS
- P.V.C 4.4 1 Roll



www.wood-styles.com

Copyright of designs shown herein is retained by this office. Authority is required for any reproduction. © Copyright Wood-styles Ltd.

Nigeria, Lagos +234 80 9037 9888
Email: info@wood-styles.com

Project
FTMB
IKOYI, LAGOS
Owner
—

Date	Description
DSD-V1-ID-13/4/2024	REV1
DSD-V1-ID-13/5/2024	REV2

FOR APPROVAL

Project No. : —
Scale : N/A
Drawn by : OBJ
Checked : OBJ
Cad File : CAD_FILE

Sheet title
Ground Floor
Teller counter at the Banking Hall
Floor Plan

Dwg No.	No.
WS-DS-SD-FT-002	SHEET 1